

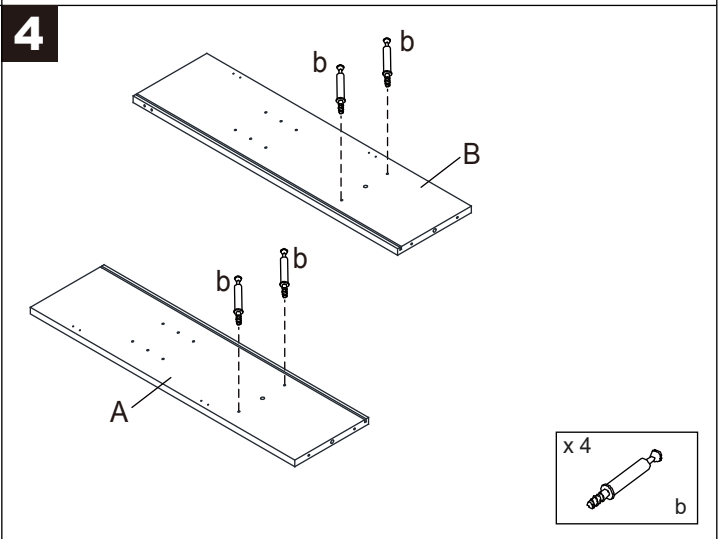
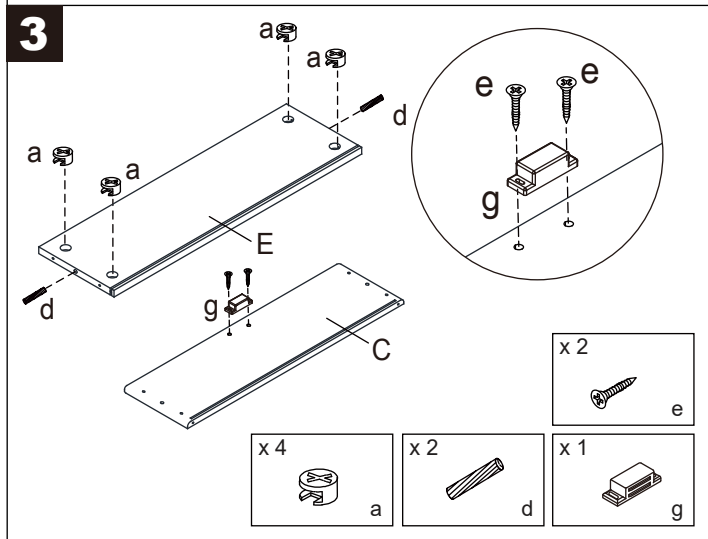
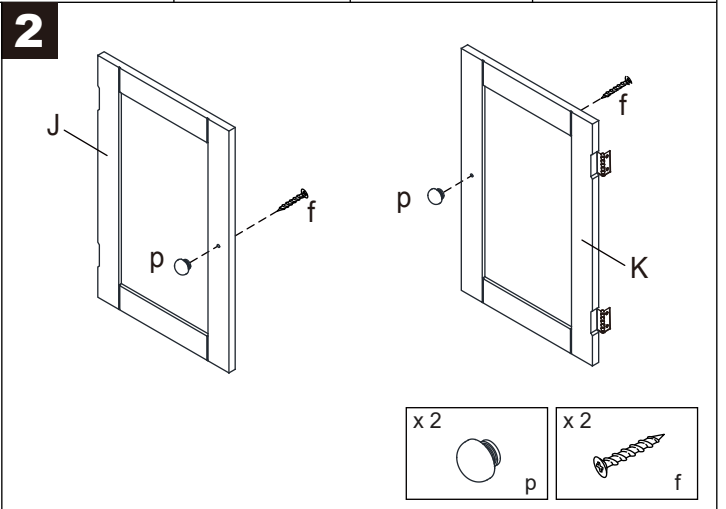
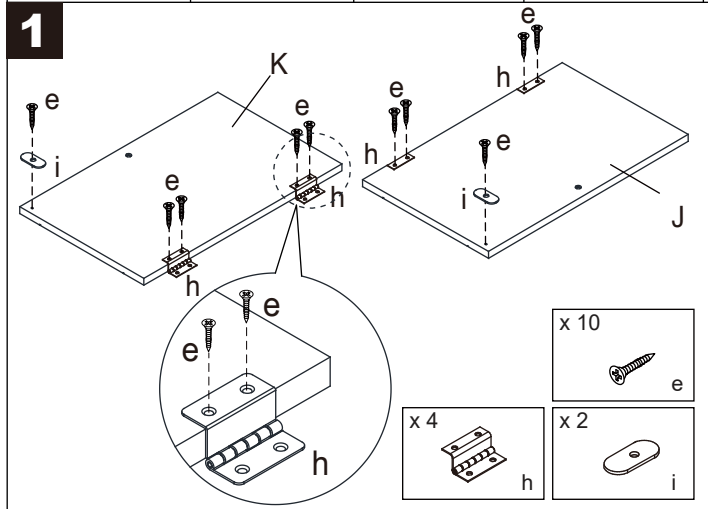
# Assembly Instructions

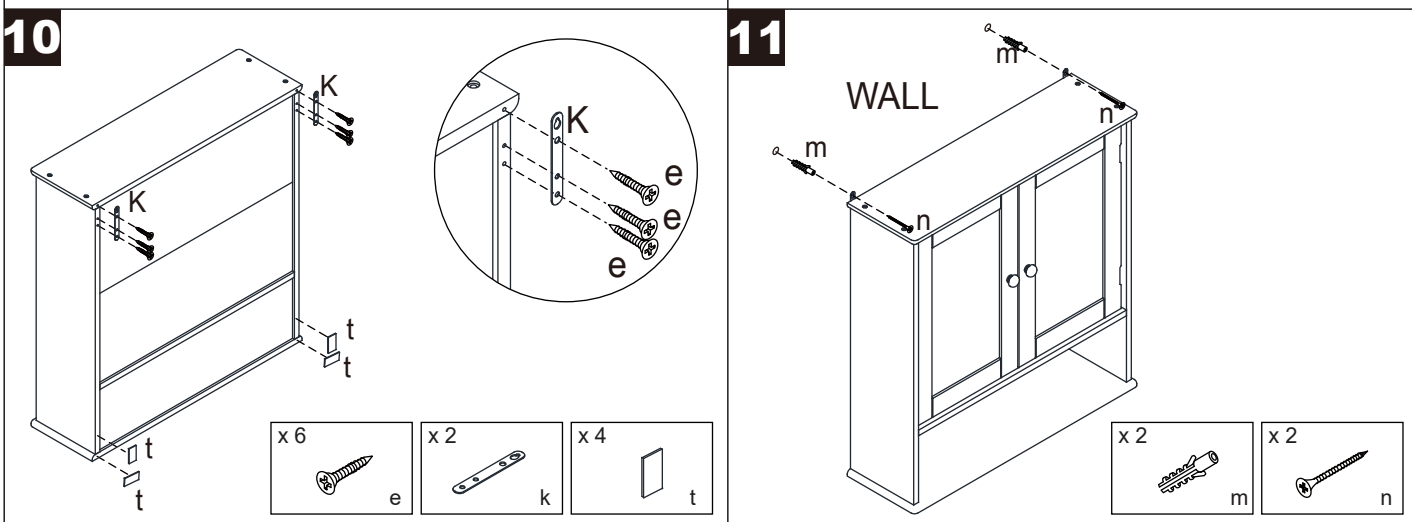
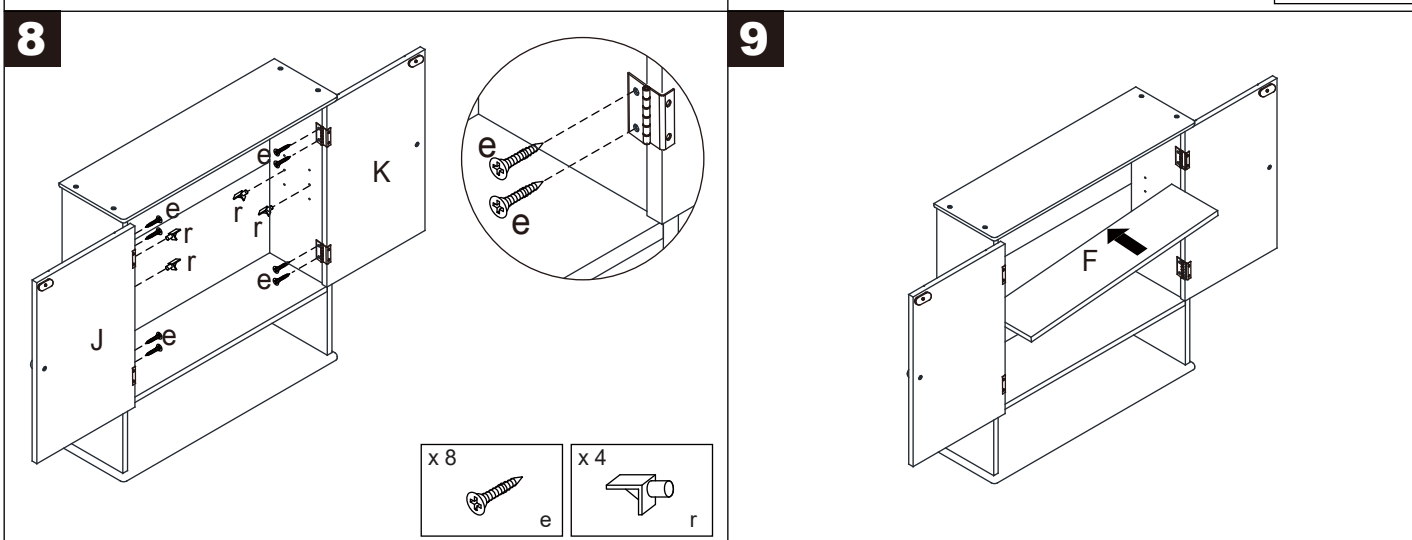
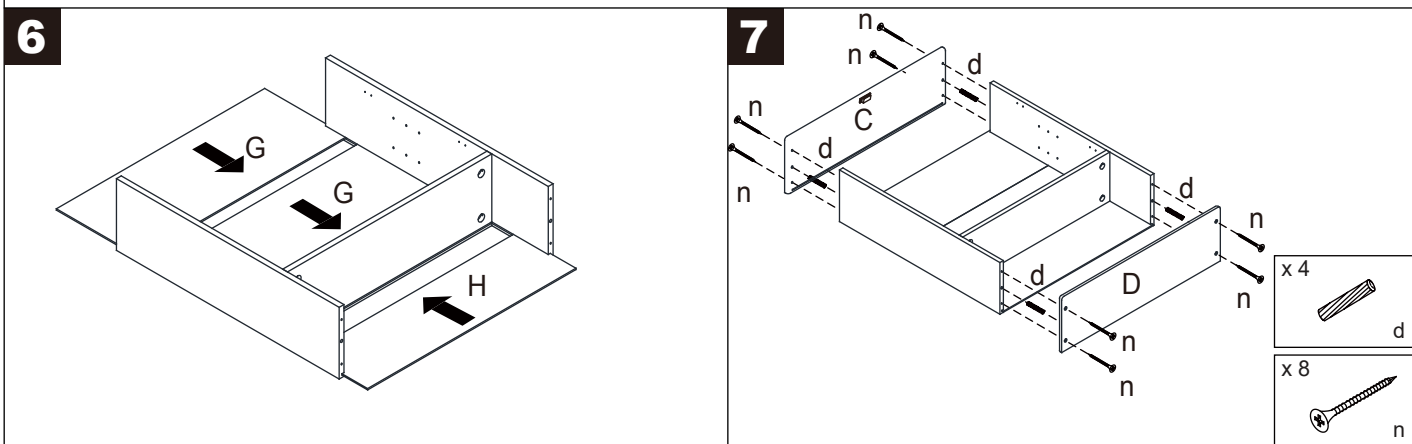
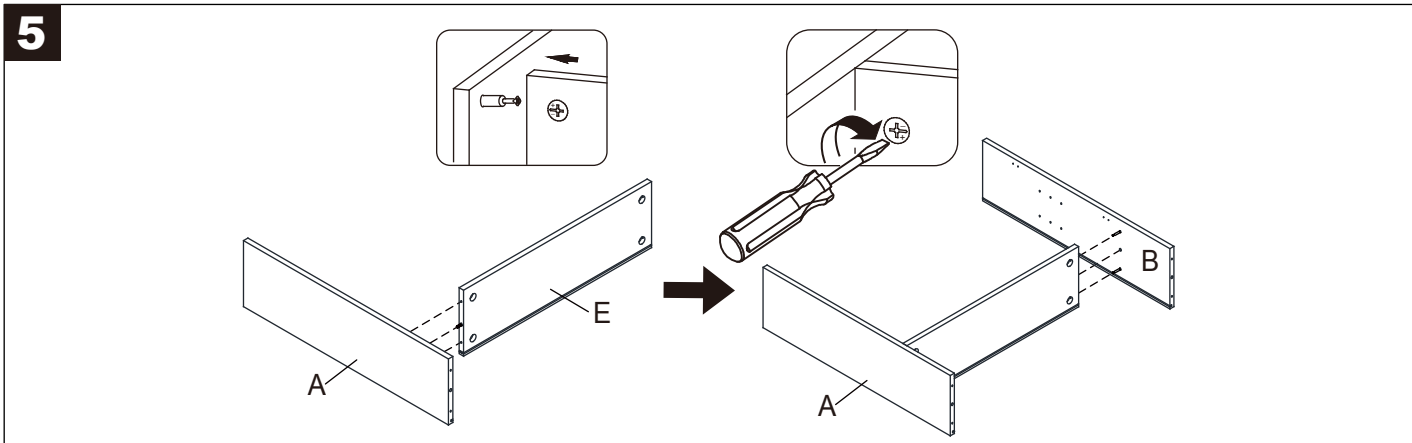
TOOLS REQUIRED: PHILLIPS HEAD SCREWDRIVER

**CAUTION:**

Please read instructions carefully. Remove all parts from the carton. Ensure you have all parts before you start assembling. Place all parts on a clean and flat soft surface such as carpet or a rug to prevent them from being scratched. Adult assembly required.

		A x 1	B x 1	C x 1	D x 1	E x 1		
		F x 1	G x 2	H x 1	J x 1	K x 1		
		a x 4	b x 4	d x 6	e x 26	f x 2	g x 1	h x 4
i x 2	k x 2	m x 2	n x 10	p x 2	r x 4	t x 4	Not included	





Warning: 1. Recommended that mirror cabinet is affixed to a wall for added stability.

2. Ensure all bolts and screws are firmly secured before use.

3. Maximum safe loading weight: 4KGS/shelf.

Failure to follow these warnings could result in serious injury.