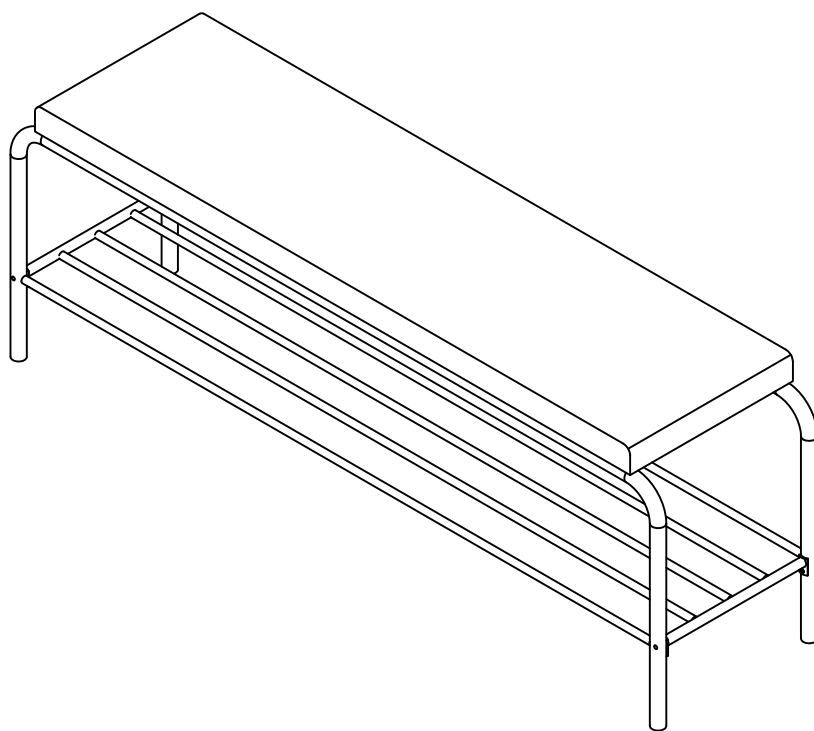
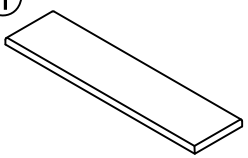
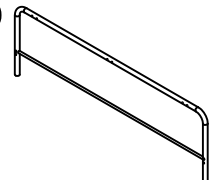
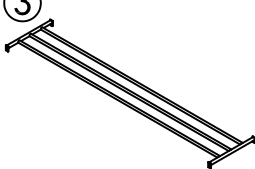



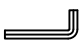
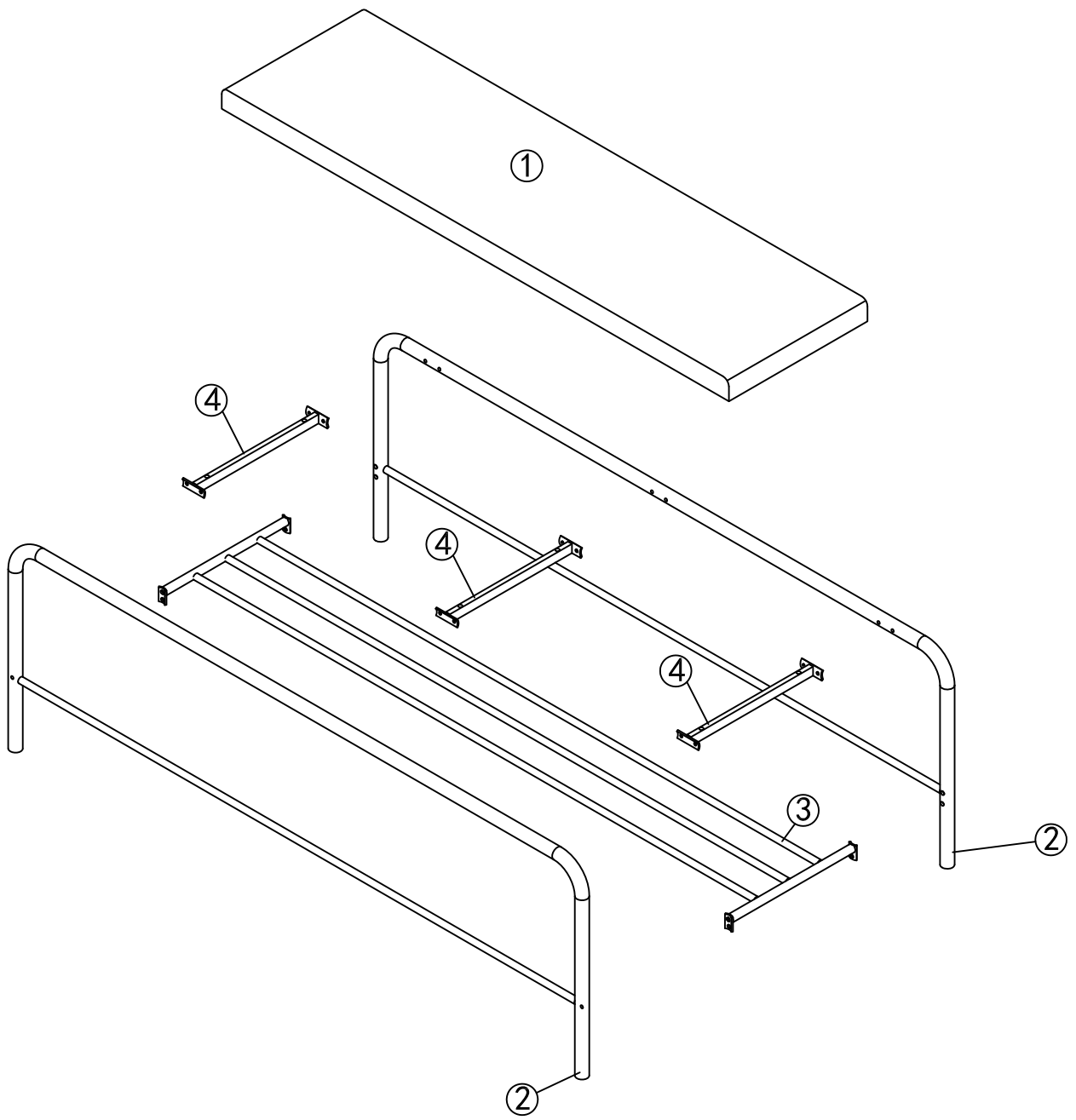


# ASSEMBLY INSTRUCTION

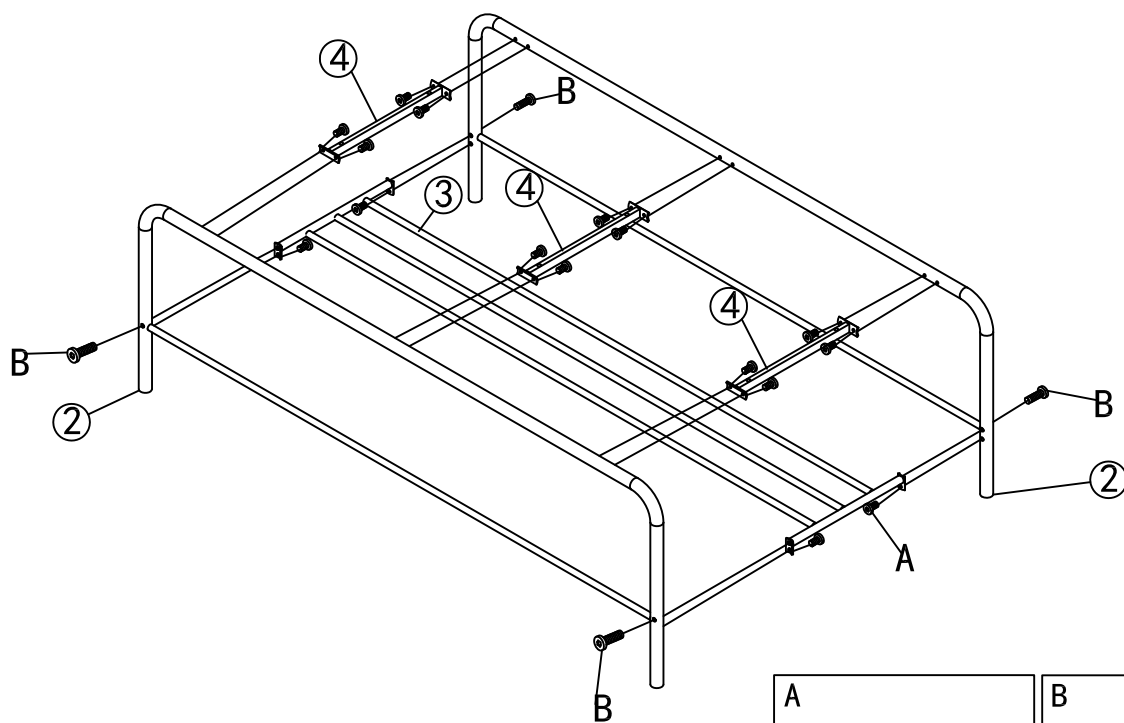
## SHOE BENCH — BH0002





<p>①</p>  <p>X1PC</p>	<p>②</p>  <p>X2PCS</p>	<p>③</p>  <p>X1PC</p>	<p>④</p>  <p>X3PCS</p>	<p>A</p>  <p>M6X12 X16PCS</p>
<p>B</p>  <p>M6*40 X10PCS</p>	<p>C</p>  <p>X1PC</p>			

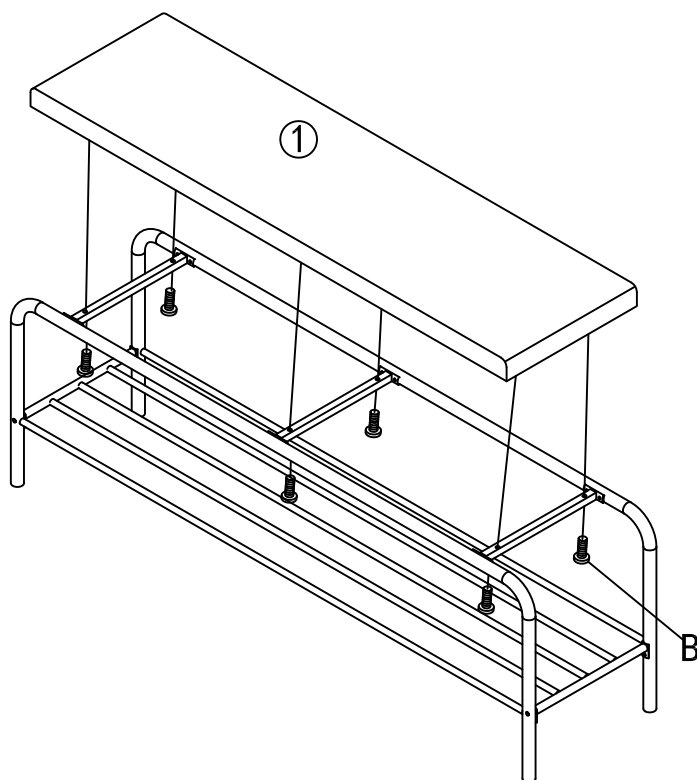



# STEP1 :



A  M6*12 X16PCS	B  M6*40 X4PCS
---	--

# STEP2 :



B  M6*40 X6PCS
--