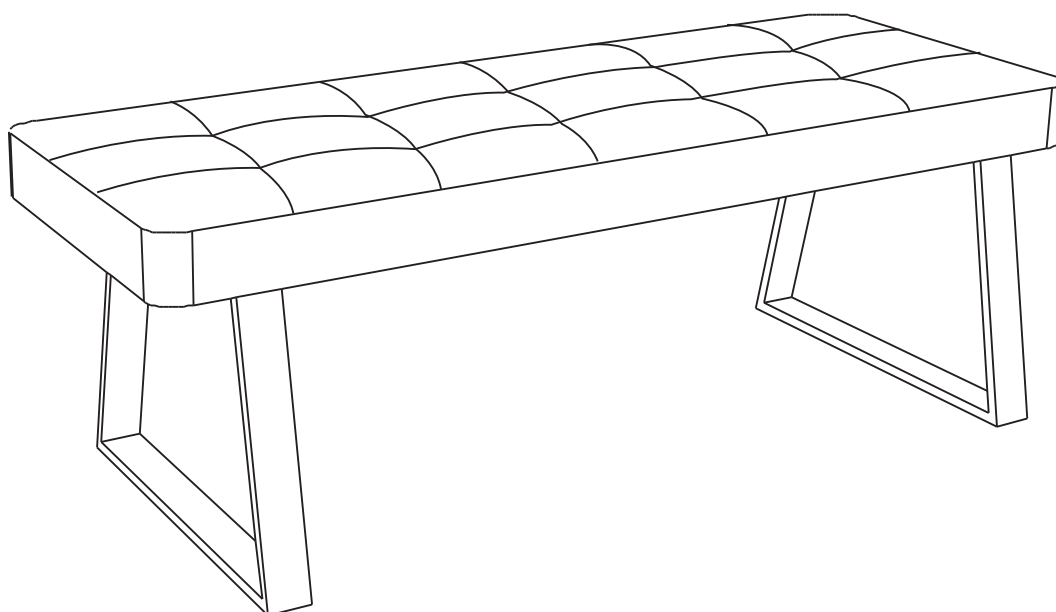


Assembly instructions

Actual product size

L123xW45.5xH50cm



IMPORTANT — RETAIN FOR FUTURE REFERENCE

BEFORE YOU START

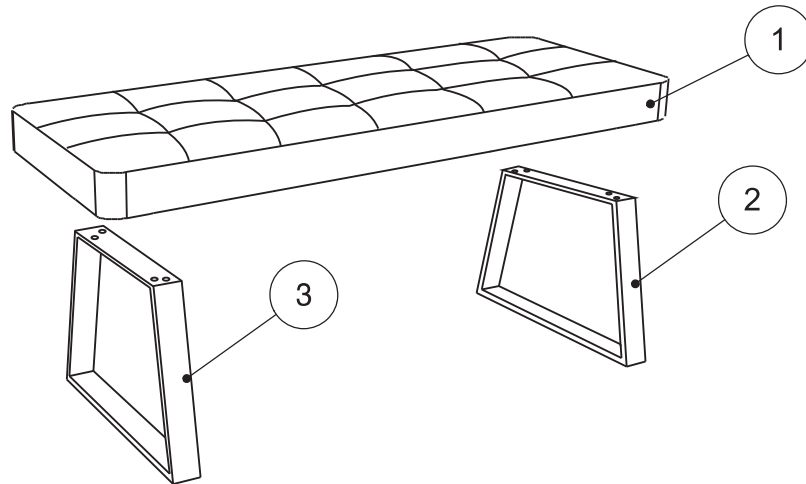
Missing parts

If you are missing any fixtures and fittings for your product, please contact us, and we will happy to arrange for a replacement to be sent to you free of charge.

A fault product

If you have a fault with your product please contact the seller, we will help you to make it right.

GETTING TO KNOW YOUR PRODUCT

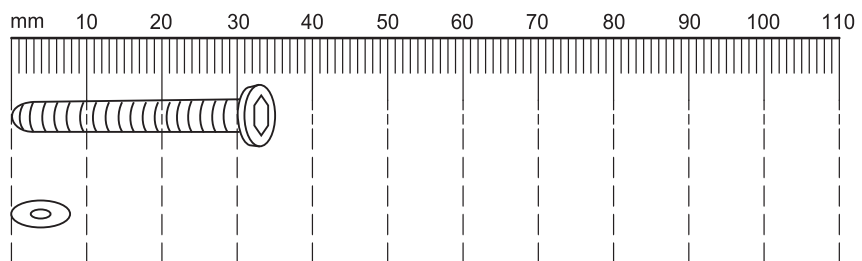


Components supplied. Please use this guide if you require replacement parts.

Ref	Visual	Qty
1		1
2		1
3		1

Fixtures and fittings supplied (actual size)

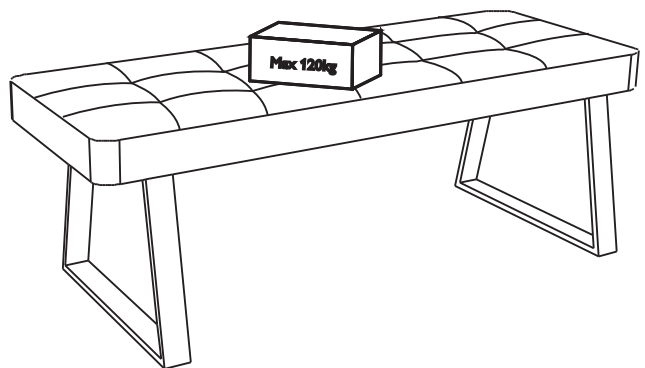
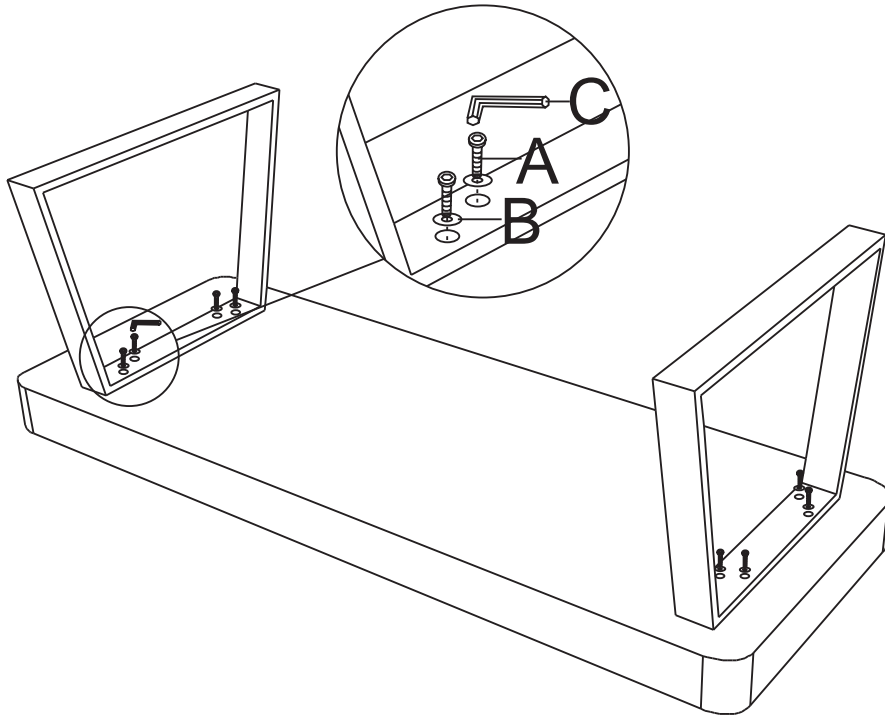
Ref	Dimensions	Qty
A	M8x35mm	8
B	Φ8	8






Fixtures and fittings supplied(not to scale)

Ref	Dimensions	Visual	Qty
C	5mm		1

1



C x 1		5mm
B x 8		Φ8
A x 8		M8x35mm

Warnings

We suggest you retain these instructions for future reference.

Keep fittings out of children's reach and keep children well away from the construction area.

This product should only be used on firm, level ground.

Please periodically check all fittings and re-tighten as necessary.

Avoid exposing the furniture to excessive heat or direct sunlight as this can cause deterioration of the colour.

Unwrap all packaging materials and place the components on top of the carton box or on a clean floor to protect it from damage.

Do's

We suggest you spend a short time reading through this leaflet before you start.

When you are ready to start, make sure that you have the right tools and plenty of space.

Unwrap all packaging materials and place the components on a clean surface to protect it from damage.

We recommend that the packaging is used to protect the surfaces during assembly.

Carefully check that you have all the parts before beginning assembly

Ensure the product is fully assembled as illustrated and all fixings are fully tightened before use.

Don'ts

Do not drag or pull your furniture.

Do not use silicone based furniture polish. Silicone in furniture polishes can break down the finish.

Never allow any kind of liquid to remain on your furniture.

Do not stand or lean back on your bench.