

MAINTAINANCE AND WARNING

- Keep furniture away from heat.
- Do not clean furniture with harsh cleansers or polish. Do not use detergents, Solvents, abrasives, spray packs or leather cleaner. Use non-color mild soap with warm water clean spills(Mix 1:10 soap to water)
- Do not place furniture under direct sunlight, material will possibly fade over time.
- Do not use on site dry Cleaning machine.
- Children should not climb or jump on the furniture.
- Do not write on furniture without a padded barrier to protect the surface.
- To obtain the longest lifespan of your outdoor products, avoid exposure to rain or snow, and direct sunshine for long time. Whenever possible cover the product and/or place under patio or awnings.
- Not for commercial use, For residential use only.

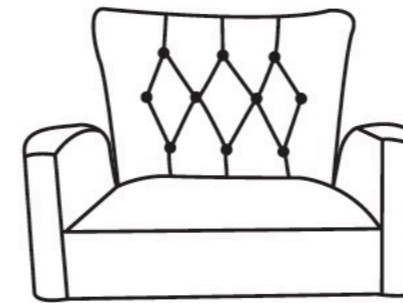


Weight Limitation

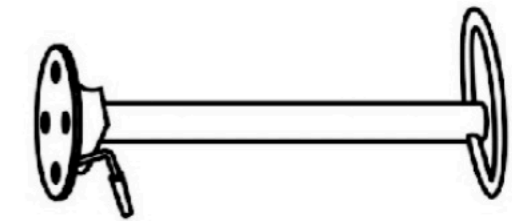
220LBS

PARTS LIST

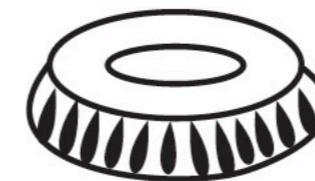
Ax1



Bx1



Cx1



Dx1



Ex1

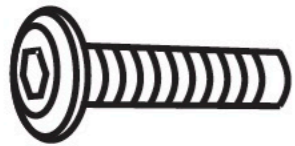


Estimated Duration Of Assembly

5-10 MINUTES

HARDWARE LIST

Fx4

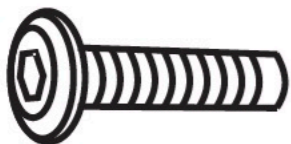


Gx1



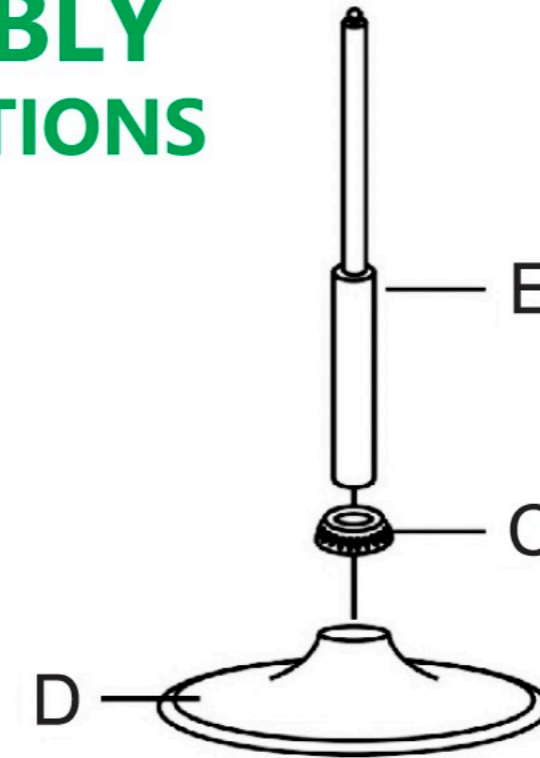
SPARE

Fx1

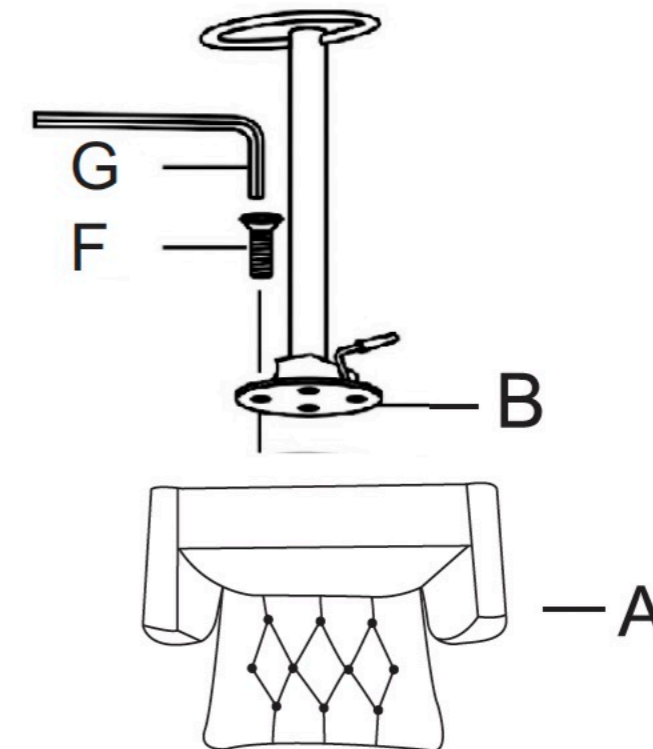


Be sure to check all packing material carefully for small parts, which may have come loose inside the carton during shipment.

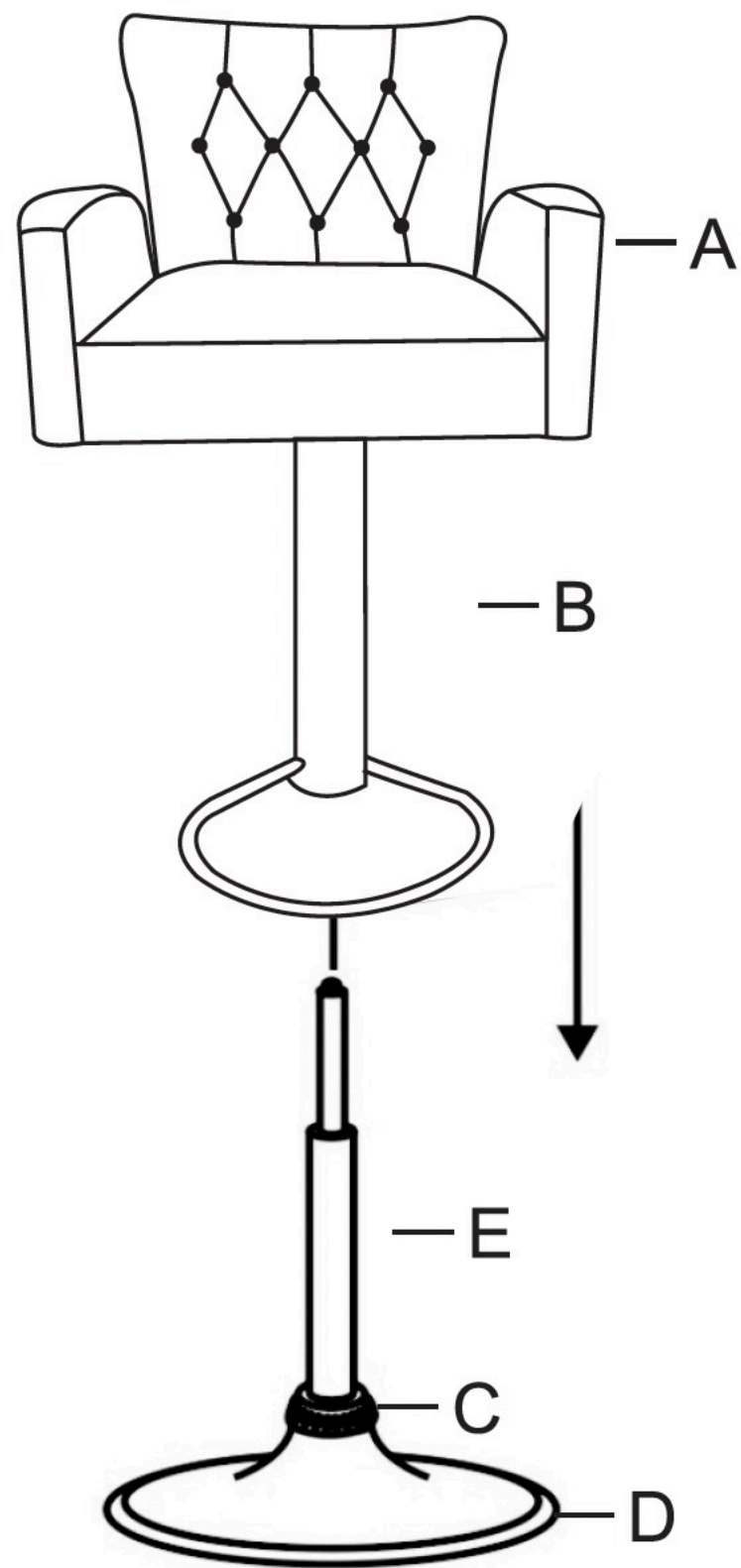
ASSEMBLY INSTRUCTIONS



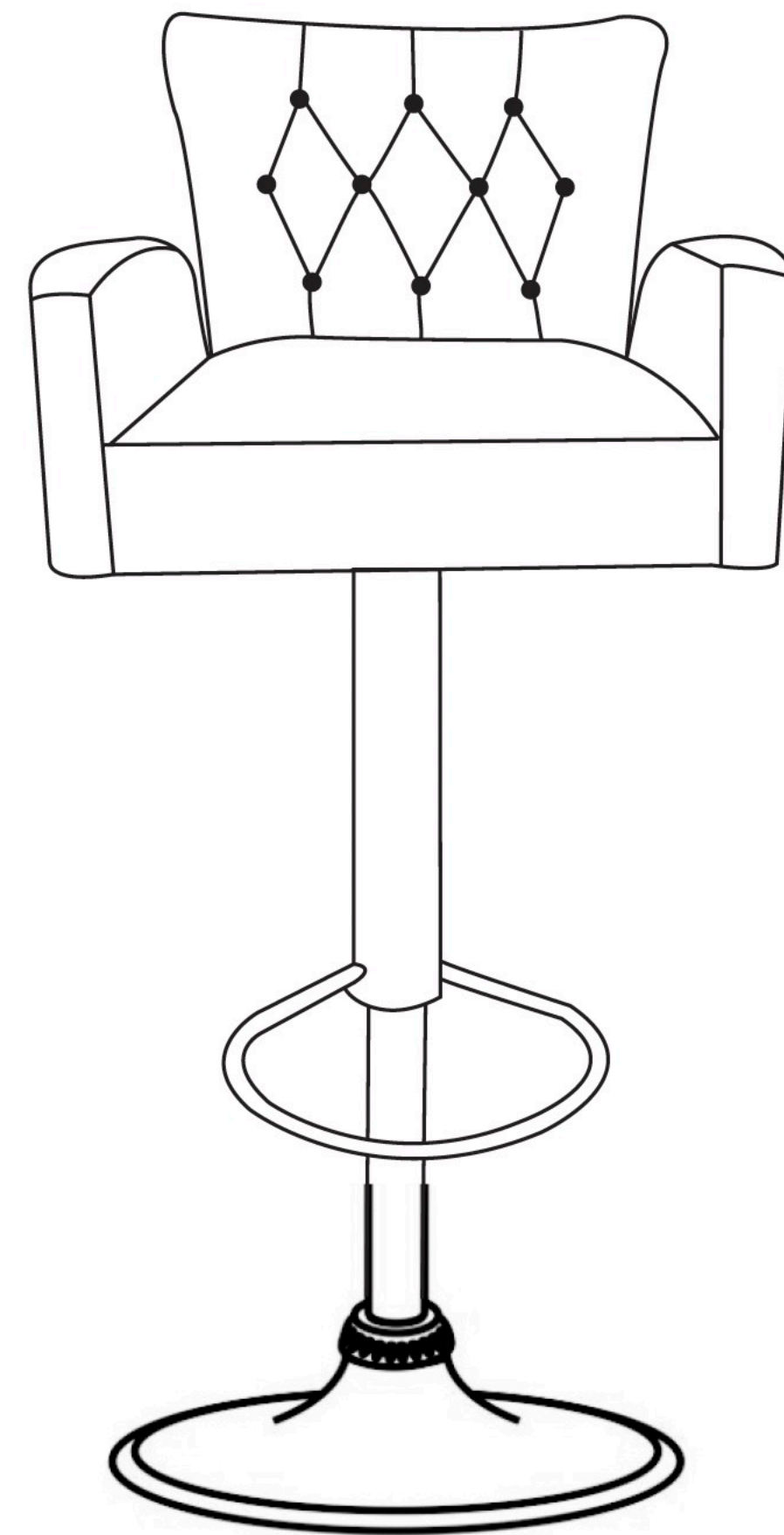
STEP 1: Insert gas lift E through decoration ring C to center hole of metal base D.



STEP 2: Place the chair back A on a clean padded surface, Use bolt F, allen key G to attach mechanism B to bottom of the seat A.



STEP 3:Carefully align bottom hole of mechanism with top pin of gas lift then push all the way down to secure.



STEP 4 :Assembly completed.